

QUAD POD

THE CLARK QUAD POD PRODUCT WAS INITIALLY CONCEIVED TO PROVIDE A RUGGED, INFINITELY TORSIONALLY STABLE PLATFORM FOR LONG RANGE EO, LASER AND RADAR EQUIPMENT DEPLOYMENT.



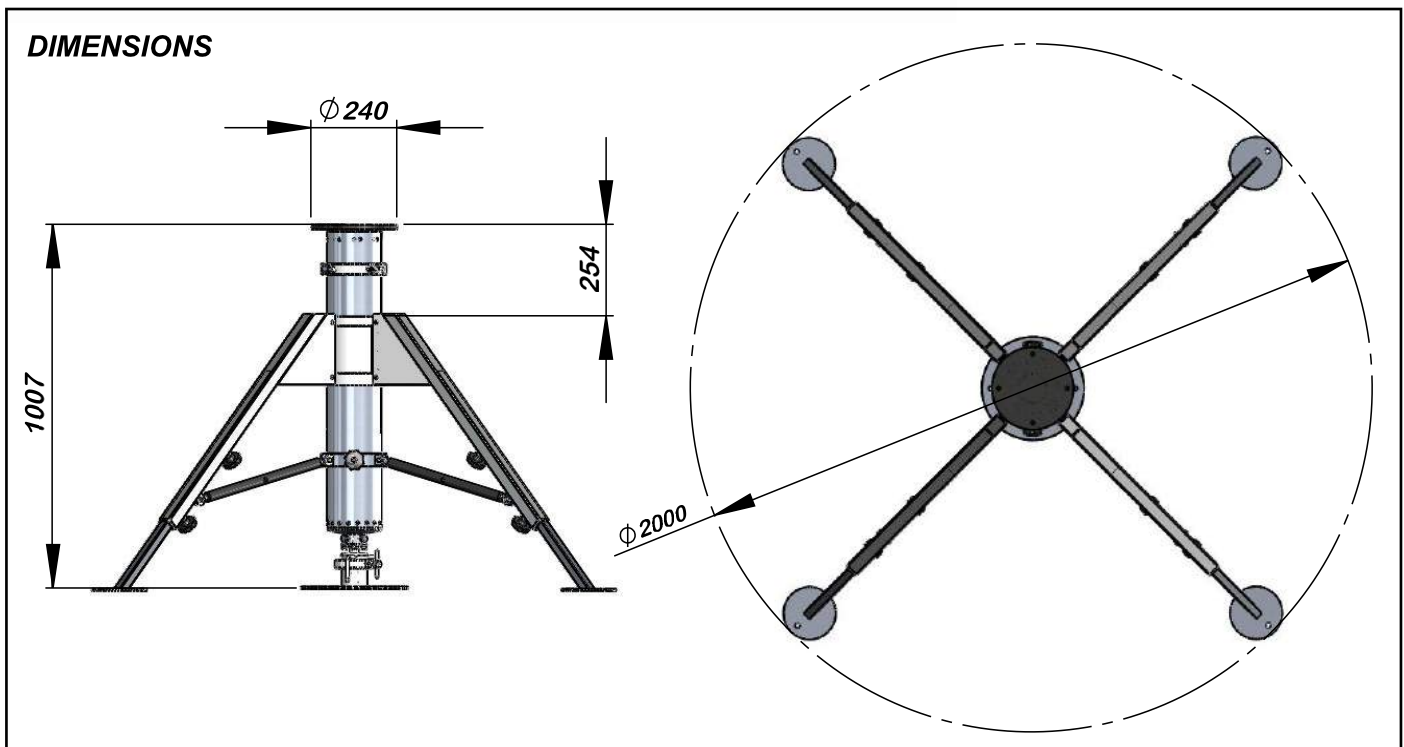
**RUGGED, BUT LIGHTWEIGHT,
ALL-ALUMINIUM CONSTRUCTION**

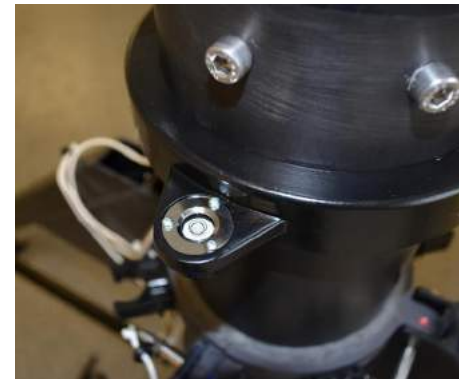
**FULLY PORTABLE IN 2 BESPOKE
BAGS**

**LARGE 250 KG HEADLOAD VIA
HEAVY DUTY TOP FLANGE**

NO TOOLS REQUIRED

**FULLY DEPLOYABLE IN LESS
THAN 2 MINUTES**





- Rugged, but lightweight, all-aluminium construction - Aircraft grade seamless drawn 6082T6, aluminium alloy 6082T6, die cast aluminium alloy LM6.
- Fully man portable in 2 bespoke bags:
QuadPod Bag (packed) -
1040 × 340 × 340 mm, 20 kg approx.
Leg Assembly Bag (packed) -
1070 × 310 × 250 mm, 12 kg approx.
- Large 250 kg headload, via 240 mm heavy duty top flange.
- Torsionally stable to ±0.1 degrees.
- Fully deployable by 2 persons in less than 2 minutes.
- No tools required, all hand fixings (retained to avoid loss).



- Adjustable legs allow for deployment on sloping ground of up to 12 degrees.
- Integral bubble level ensures accurate deployment.
- Bespoke pre-tensioned bracing arm assembly ensures a totally stable platform every time.
- Dyed black and hard anodised finish for long-term all weather protection.
- CE marked.
- Air transportable.

CLARK MASTS™

All details given in this publication are approximate and are in mm unless otherwise stated and may be subject to change without notice.

Distributor:

TEKSAM COMPANY NV, Woudstraat 21, 3600 Genk, Belgium

Tel : +32 (0)89 38 44 72 Fax : +32 (0)89 38 61 41 E-mail : info@teksamco.com Website : www.clarkmasts.be

Clark Masts is a division of Teksam Company NV