

# CLARK MASTS™

# XT Series



## TELESCOPIC & SECTIONAL MAST SYSTEMS



Teksam Company NV have been designing and manufacturing telescopic and sectional mast systems for more than 60 years and have built up an extensive range of products that are used by civil and military authorities all around the world.

Design, development and testing are fundamental to the success of our organisation. This leaflet details our XT Series aluminium telescopic masts that are produced to our exacting standards of quality. The standard range is available from 1.5 to 34 metres, customised solutions offering variation in retracted and extended heights are available at no extra cost. Clark Masts are used by all of the world's largest integrators.

# XT Series

## Introduction



•Extended Height Range  
1.5 metre to 34 metres

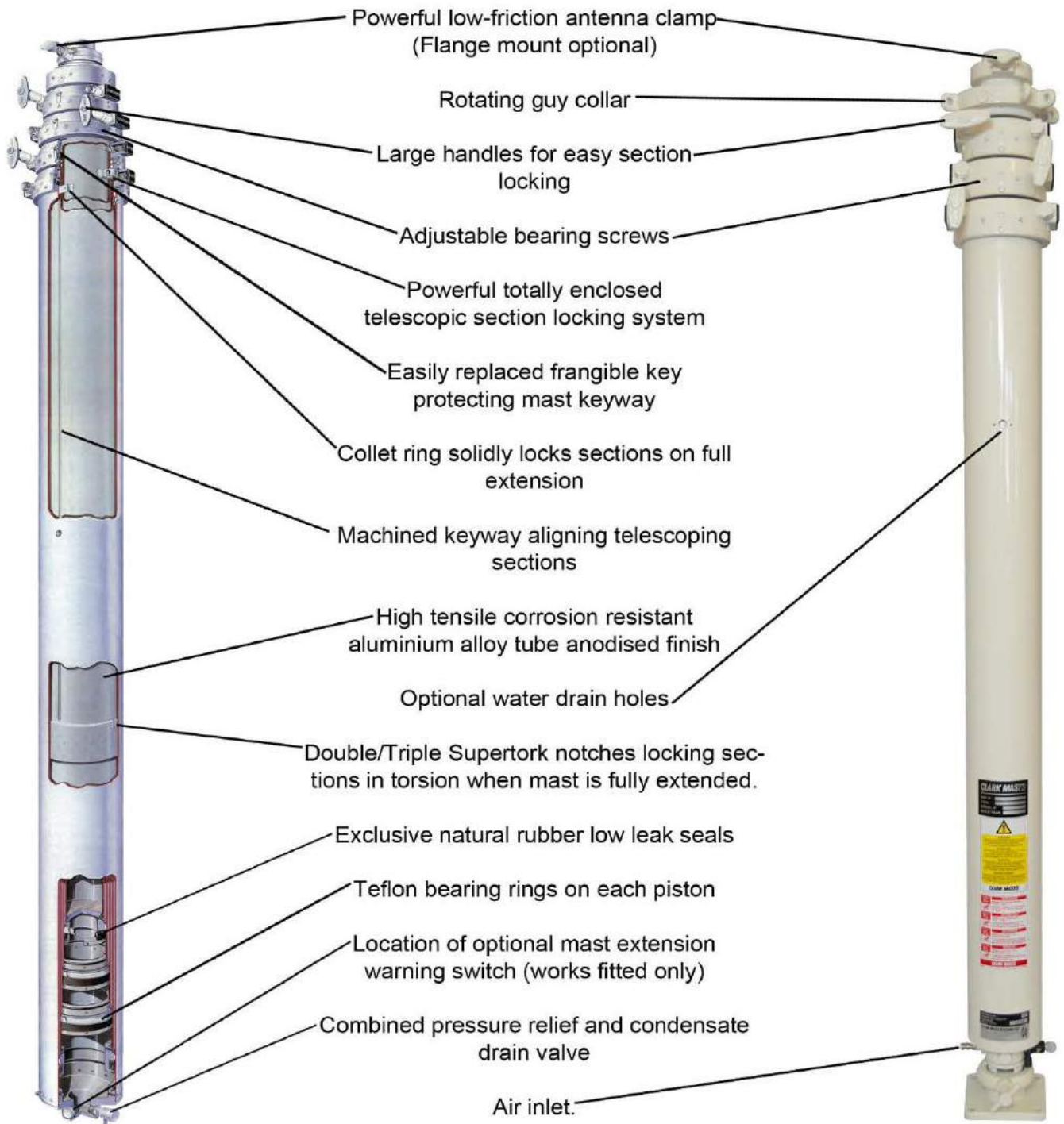
•Headload Range 10kg to  
300kg

•Vehicle and Shelter  
Mounting Options

•Ground and Field Mounting  
Options

•Approved to MIL STD 810F

- XT Series masts are made from 6082T6 Aircraft grade seamless drawn aluminium tube.
- Base tube diameter is 8" and can have a maximum of twelve sections.
- Full length machined keyway to prevent relative rotation of sections allowing the whole mast to be easily turned at the base if required.
- Rotating and non rotating versions available.
- Vehicle or shelter mounted either internally or externally.
- Field mounted either with field legs or guys only.
- Roof trolley versions for maximum height extensions.
- Bearing surfaces fitted with nylon and PTFE for smooth and effortless extension.
- Natural rubber seals for reliable operation in the most demanding climatic conditions.
- Masts approved to **MIL STD 810F**.
- Plain collar version for lowest collar stack height.
- Locking collar version for long term unattended deployment.
- Double Supertork anti-twist system fitted as standard reducing torsional movement to +/- 1.5 degrees.
- Triple Supertork anti-twist system available as an option further reducing torsional movement to +/- 0.1 degrees.
- Various top fittings to suit your requirements.



*(Alternative bases available for field or vehicle installations, fixed or rotatable)*



- Plain Collars



- Locking Collars



- Fixed Base



- Rotatable Base



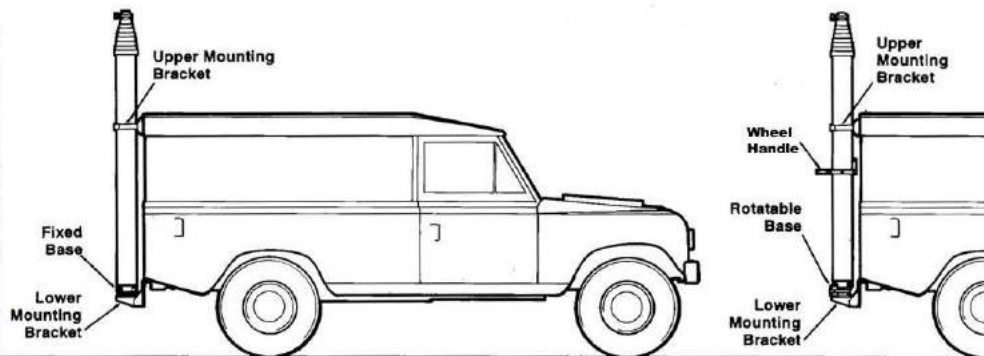
- Field Base



## Externally Mounted Mast

XT masts can be mounted on a vertical surface of a van or shelter using upper and lower mounting brackets. The mast can be rotated through 360 degrees and locked in position by clamping the rotatable base when required.

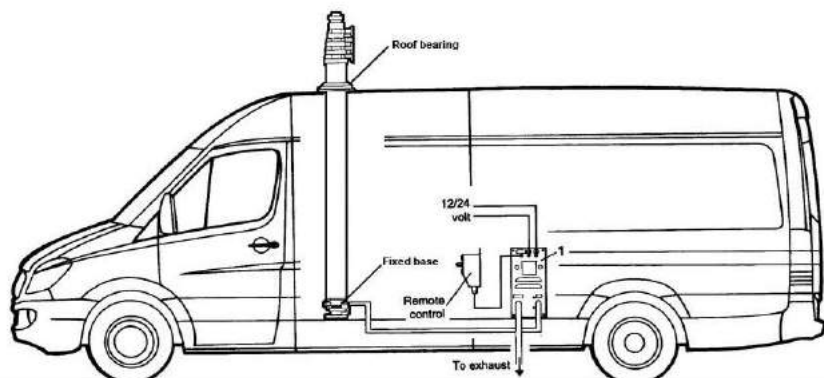
Wheel rotation handles fitted to the mast base tube allow the user to turn the whole mast when using directional headloads. Upper brackets are fitted with PTFE bearing pads. Brackets are normally supplied in a painted finish in the same colour as the mast.



## Internally Mounted Mast

Normally the most popular way of mounting a Clark Mast on a vehicle, the internally mounted mast uses the weatherproof roof bearing to adapt the vehicle roof and allows the mast to be rotated through 360 degrees when fitted with the rotatable base.

The roof bearing consists of a whole outer ring that is bolted to the vehicle roof skin and bearing halves that are clamped around the mast base tube and then positioned over the fixed ring so any rain or condensation will run off. This roof bearing is fitted with PTFE rings and a weatherproof sealing ring. Roof bearings are supplied in a painted finish in the same colour as the mast.



2 SECTION MAST (8"/203mm DIAMETER BASE TUBE, 7.5"/109mm TOP TUBE, 190mm TOP FLANGE)											
XT15-2 MAST		XT25-2 MAST		XT35-2		XT45-2		XT55-2			
RETRACTED HEIGHT	EXTENDED HEIGHT	RETRACTED HEIGHT	EXTENDED HEIGHT	RETRACTED HEIGHT	EXTENDED HEIGHT	RETRACTED HEIGHT	EXTENDED HEIGHT	RETRACTED HEIGHT	EXTENDED HEIGHT	RETRACTED HEIGHT	EXTENDED HEIGHT
CAT. NO. 48168		CAT. NO. 48169		CAT. NO. 48170		CAT. NO. 48171		CAT. NO. 48172			
NP	1.15m	1.50m	1.65m	2.50m	2.15m	3.50m	2.65m	4.50m	3.15m	5.50m	
CAT. NO. 48173		CAT. NO. 48174		CAT. NO. 48175		CAT. NO. 48176		CAT. NO. 48177			
TP	1.21m	1.50m	1.71m	2.50m	2.21m	3.50m	2.65m	4.50m	3.21m	5.50m	
CAT. NO. 48178		CAT. NO. 48179		CAT. NO. 48180		CAT. NO. 48181		CAT. NO. 48182			
NC	1.21m	1.50m	1.71m	2.50m	2.21m	3.50m	2.71m	4.50m	3.21m	5.50m	
CAT. NO. 48183		CAT. NO. 48184		CAT. NO. 48185		CAT. NO. 48186		CAT. NO. 48187			
TC	1.27m	1.50m	1.77m	2.50m	2.27m	3.50m	2.77m	4.50m	3.27m	5.50m	
MAX. HEADLOAD	400.0kg		400.0kg		350.0kg		350.0kg		350.0kg		

3 SECTION MAST (8"/203mm DIAMETER BASE TUBE, 7' / 177mm TOP TUBE, 190mm TOP FLANGE)											
XT22-3		XT36-3		XT50-3		XT64-3		XT78-3			
RETRACTED HEIGHT	EXTENDED HEIGHT	RETRACTED HEIGHT	EXTENDED HEIGHT	RETRACTED HEIGHT	EXTENDED HEIGHT	RETRACTED HEIGHT	EXTENDED HEIGHT	RETRACTED HEIGHT	EXTENDED HEIGHT	RETRACTED HEIGHT	EXTENDED HEIGHT
CAT. NO. 48192		CAT. NO. 48193		CAT. NO. 48194		CAT. NO. 48195		CAT. NO. 48196			
NP	1.15m	2.20m	1.65m	3.60m	2.15m	5.00m	2.65m	6.40m	3.15m	7.80m	
CAT. NO. 48197		CAT. NO. 48198		CAT. NO. 48199		CAT. NO. 48200		CAT. NO. 48200		CAT. NO. 48200	
TP	1.21m	2.20m	1.71m	3.60m	2.21m	5.00m	2.71m	6.40m	3.21m	7.80m	
CAT. NO. 48201		CAT. NO. 48202		CAT. NO. 48203		CAT. NO. 48204		CAT. NO. 48205			
NC	1.32m	2.20m	1.76m	3.60m	2.26m	5.00m	2.76m	6.40m	3.27m	7.80m	
CAT. NO. 48206		CAT. NO. 48207		CAT. NO. 48208		CAT. NO. 48209		CAT. NO. 48210			
TC	1.42m	2.20m	1.82m	3.60m	2.32m	5.00m	2.82m	6.40m	3.32m	7.80m	
MAX. HEADLOAD	350.0kg		350.0kg		330.0kg		330.0kg		320.0kg		

4 SECTION MAST (8"/203mm DIAMETER BASE TUBE, 6.5"/165mm TOP TUBE, 190mm TOP FLANGE)											
XT40-4		XT60-4		XT80-4		XT100-4					
RETRACTED HEIGHT	EXTENDED HEIGHT	RETRACTED HEIGHT	EXTENDED HEIGHT	RETRACTED HEIGHT	EXTENDED HEIGHT	RETRACTED HEIGHT	EXTENDED HEIGHT	RETRACTED HEIGHT	EXTENDED HEIGHT	RETRACTED HEIGHT	EXTENDED HEIGHT
CAT. NO. 40800		CAT. NO. 40801		CAT. NO. 40802		CAT. NO. 40803					
NP	1.51m	4.02m	2.22m	6.02m	2.80m	8.02m	3.50m	10.00m			
CAT. NO. 40804		CAT. NO. 40805		CAT. NO. 40806		CAT. NO. 40807					
TP	1.57m	4.08m	2.26m	6.08m	2.86m	8.08m	3.56m	10.00m			
CAT. NO. 40808		CAT. NO. 40809		CAT. NO. 40810		CAT. NO. 40811					
NC	1.57m	4.02m	2.28m	6.02m	2.86m	8.02m	3.56m	10.00m			
CAT. NO. 40812		CAT. NO. 40813		CAT. NO. 40814		CAT. NO. 40815					
TC	1.63m	4.08m	2.34m	6.08m	2.92m	8.08m	3.62m	10.00m			
MAX. HEADLOAD	300.0kg		250.0kg		200.0kg		180.0kg				

5 & 6 SECTION MASTS (8"/203mm DIAMETER BASE TUBE, 6"/152mm TOP TUBE - 5.5"/139mm TOP TUBE, 190mm TOP FLANGE)											
XT50-5		XT100-6		XT120-6		XT150-6		XT180-6			
RETRACTED HEIGHT	EXTENDED HEIGHT	RETRACTED HEIGHT	EXTENDED HEIGHT	RETRACTED HEIGHT	EXTENDED HEIGHT	RETRACTED HEIGHT	EXTENDED HEIGHT	RETRACTED HEIGHT	EXTENDED HEIGHT	RETRACTED HEIGHT	EXTENDED HEIGHT
CAT. NO. 40808		CAT. NO. 40875		CAT. NO. 40876		CAT. NO. 40877		CAT. NO. 40878			
NP	1.55m	5.02m	2.30m	10.00m	2.89m	12.00m	3.79m	15.00m	4.29m	18.00m	
CAT. NO. 40879		CAT. NO. 40880		CAT. NO. 40881		CAT. NO. 40882		CAT. NO. 40883			
TP	1.61m	5.08m	2.36m	10.06m	2.95m	12.06m	3.85m	15.06m	4.35m	18.06m	
CAT. NO. 40884		CAT. NO. 40885		CAT. NO. 40886		CAT. NO. 40887		CAT. NO. 40888			
NC	1.63m	5.02m	2.40m	10.00m	2.99m	12.00m	3.89m	15.00m	4.39m	18.00m	
CAT. NO. 40889		CAT. NO. 40890		CAT. NO. 408891		CAT. NO. 408892		CAT. NO. 408893			
TC	1.69m	5.08m	2.46m	10.06m	3.05m	12.06m	3.95m	15.06m	4.45m	18.06m	
MAX. HEADLOAD	220.0kg		150.0kg		130.0kg		110.0kg		90.0kg		

## Material Specifications

### Mast Sections:

Seamless drawn aluminium 10 SWG ENAW6082T6.

### Castings:

Die cast aluminium LM6.

### Finishes:

Mast sections are anodised and dyed to a choice of colours. The steel fittings are zinc plated and passivated.

### Operating Temperatures:

-40°C to +55°C (dry air).

### Air Pressure:

Maximum operating air pressure 30PSI 2BAR.

**NP** = NON ROTATABLE PLAIN COLLAR

**TP** = ROTATABLE PLAIN COLLAR

**NC** = NON ROTATABLE LOCKING COLLAR

**TC** = ROTATABLE LOCKING COLLAR

All XT masts have been tested to MIL STD 810F and have been used around the world in service by military and civil users for over fifty years.

7 SECTION MAST (8"/203mm DIAMETER BASE TUBE, 5"/127mm TOP TUBE, 190mm TOP FLANGE)										
	XT8-7		XT10-7		XT12-7		XT15-7		XT18-7	
	RETRACTED HEIGHT	EXTENDED HEIGHT	RETRACTED HEIGHT	EXTENDED HEIGHT	RETRACTED HEIGHT	EXTENDED HEIGHT	RETRACTED HEIGHT	EXTENDED HEIGHT	RETRACTED HEIGHT	EXTENDED HEIGHT
NP	CAT. NO. 48312 1.80m   8.00m		CAT. NO. 48313 2.40m   10.00m		CAT. NO. 48314 2.61m   12.00m		CAT. NO. 48315 3.25m   15.00m		CAT. NO. 48316 4.15m   18.00m	
TP	CAT. NO. 48317 1.86m   8.00m		CAT. NO. 48318 2.46m   10.00m		CAT. NO. 48319 2.67m   12.00m		CAT. NO. 48320 3.31m   15.00m		CAT. NO. 48321 4.21m   18.00m	
NC	CAT. NO. 48322 1.92m   8.00m		CAT. NO. 48323 2.52m   10.00m		CAT. NO. 48324 2.73m   12.00m		CAT. NO. 48325 3.37m   15.00m		CAT. NO. 48326 4.27m   18.00m	
TC	CAT. NO. 48327 1.98m   8.00m		CAT. NO. 48328 2.60m   10.00m		CAT. NO. 48329 2.79m   12.00m		CAT. NO. 48330 3.43m   15.00m		CAT. NO. 48331 4.33m   18.00m	
MAX. HEADLOAD	130.0kg		130.0kg		120.0kg		90.0kg		75.0kg	

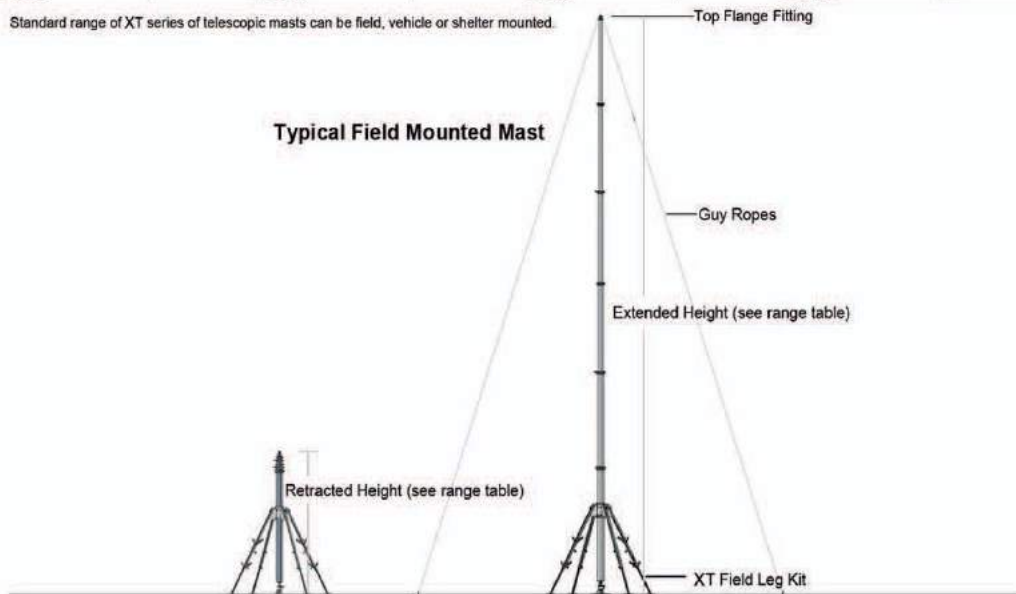
8 SECTION MAST (8"/203mm DIAMETER BASE TUBE, 4.5"/114mm DIAMETER BASE TUBE, 190mm TOP FLANGE)										
	XT6-8		XT8-8		XT10-8		XT12-8		XT15-8	
	RETRACTED HEIGHT	EXTENDED HEIGHT	RETRACTED HEIGHT	EXTENDED HEIGHT	RETRACTED HEIGHT	EXTENDED HEIGHT	RETRACTED HEIGHT	EXTENDED HEIGHT	RETRACTED HEIGHT	EXTENDED HEIGHT
NP	CAT. NO. 40820 1.44m   6.02m		CAT. NO. 40821 1.72m   8.02m		CAT. NO. 40822 2.00m   10.02m		CAT. NO. 40823 2.32m   12.02m		CAT. NO. 40824 2.82m   15.02m	
TP	CAT. NO. 40827 1.50m   6.08m		CAT. NO. 40828 1.78m   8.08m		CAT. NO. 40829 2.08m   10.08m		CAT. NO. 40830 2.38m   12.08m		CAT. NO. 40831 2.88m   15.08m	
NC	CAT. NO. 40844 1.58m   6.02m		CAT. NO. 40845 1.86m   8.02m		CAT. NO. 40846 2.14m   10.02m		CAT. NO. 40847 2.46m   12.02m		CAT. NO. 40848 2.96m   15.02m	
TC	CAT. NO. 40851 1.64m   6.08m		CAT. NO. 40852 1.92m   8.08m		CAT. NO. 40853 2.22m   10.08m		CAT. NO. 40854 2.52m   12.08m		CAT. NO. 40855 3.02m   15.08m	
MAX. HEADLOAD	130.0kg		120.0kg		120.0kg		110.0kg		80.0kg	

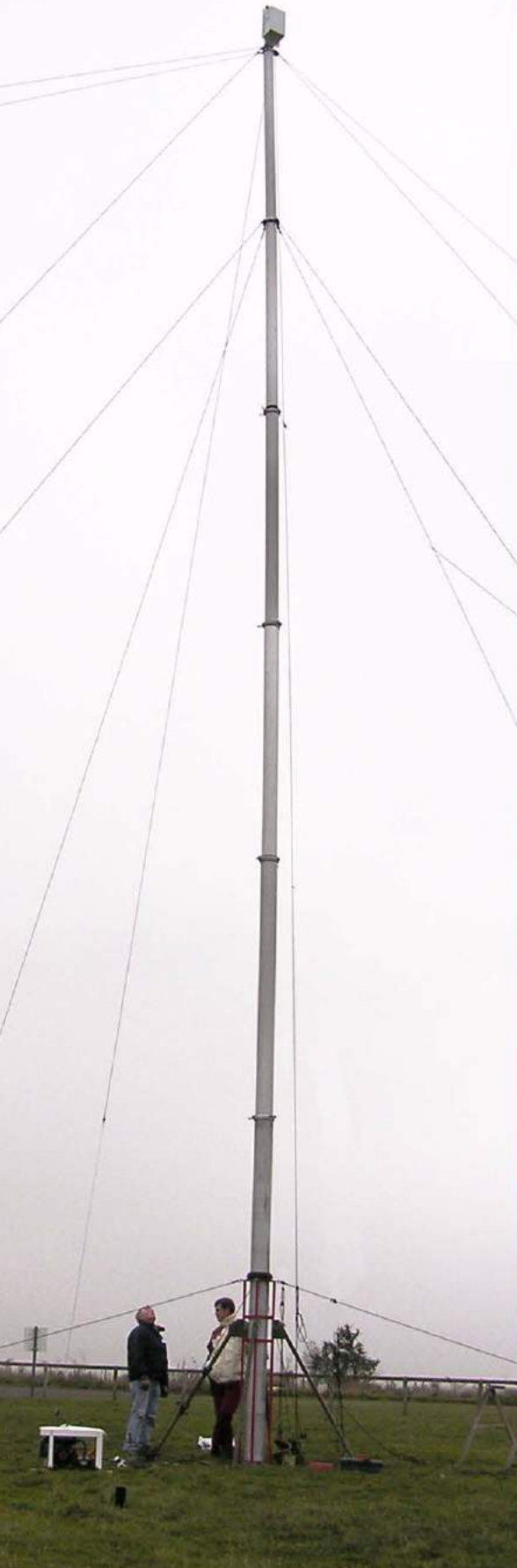
8 SECTION MAST				
	XT18-8		XT26-8	
	RETRACTED HEIGHT	EXTENDED HEIGHT	RETRACTED HEIGHT	EXTENDED HEIGHT
NP	CAT. NO. 40825 3.41m   18.02m		CAT. NO. 40826 4.89m   26.02m	
TP	CAT. NO. 40832 3.47m   18.08m		CAT. NO. 40833 4.95m   26.08m	
NC	CAT. NO. 40849 3.55m   18.02m		CAT. NO. 40850 5.03m   26.02m	
TC	CAT. NO. 40856 3.61m   18.08m		CAT. NO. 40857 5.09m   26.08m	
MAX. HEADLOAD	60.0kg		55.0kg	

XT Telescopic Masts offer large headload capacities up to 400.0kg and greater stability for sensitive equipment using our Triple Supertork system.

9 SECTION MAST (8"/203mm DIAMETER BASE TUBE, 4"/101mm DIAMETER TOP TUBE, 190mm TOP FLANGE)										
	XT90-9		XT110-9		XT140-9		XT200-9		XT300-9	
	RETRACTED HEIGHT	EXTENDED HEIGHT	RETRACTED HEIGHT	EXTENDED HEIGHT	RETRACTED HEIGHT	EXTENDED HEIGHT	RETRACTED HEIGHT	EXTENDED HEIGHT	RETRACTED HEIGHT	EXTENDED HEIGHT
NP	CAT. NO. 40834 2.00m   9.00m		CAT. NO. 40835 2.20m   11.02m		CAT. NO. 40836 2.60m   14.02m		CAT. NO. 40837 3.60m   20.02m		CAT. NO. 40838 4.93m   30.02m	
TP	CAT. NO. 40839 2.06m   9.00m		CAT. NO. 40840 2.26m   11.08m		CAT. NO. 40841 2.66m   14.08m		CAT. NO. 40842 3.66m   20.08m		CAT. NO. 40843 5.00m   30.08m	
NC	CAT. NO. 40858 2.16m   9.00m		CAT. NO. 40859 2.36m   11.02m		CAT. NO. 40860 2.76m   14.02m		CAT. NO. 40861 3.76m   20.02m		CAT. NO. 40862 5.09m   30.02m	
TC	CAT. NO. 40863 2.20m   9.00m		CAT. NO. 40864 2.40m   11.08m		CAT. NO. 40865 2.80m   14.08m		CAT. NO. 40866 3.82m   20.08m		CAT. NO. 40867 5.16m   30.08m	
MAX. HEADLOAD	90.0kg		75.0kg		65.0kg		55.0kg		50.0kg	

Standard range of XT series of telescopic masts can be field, vehicle or shelter mounted.

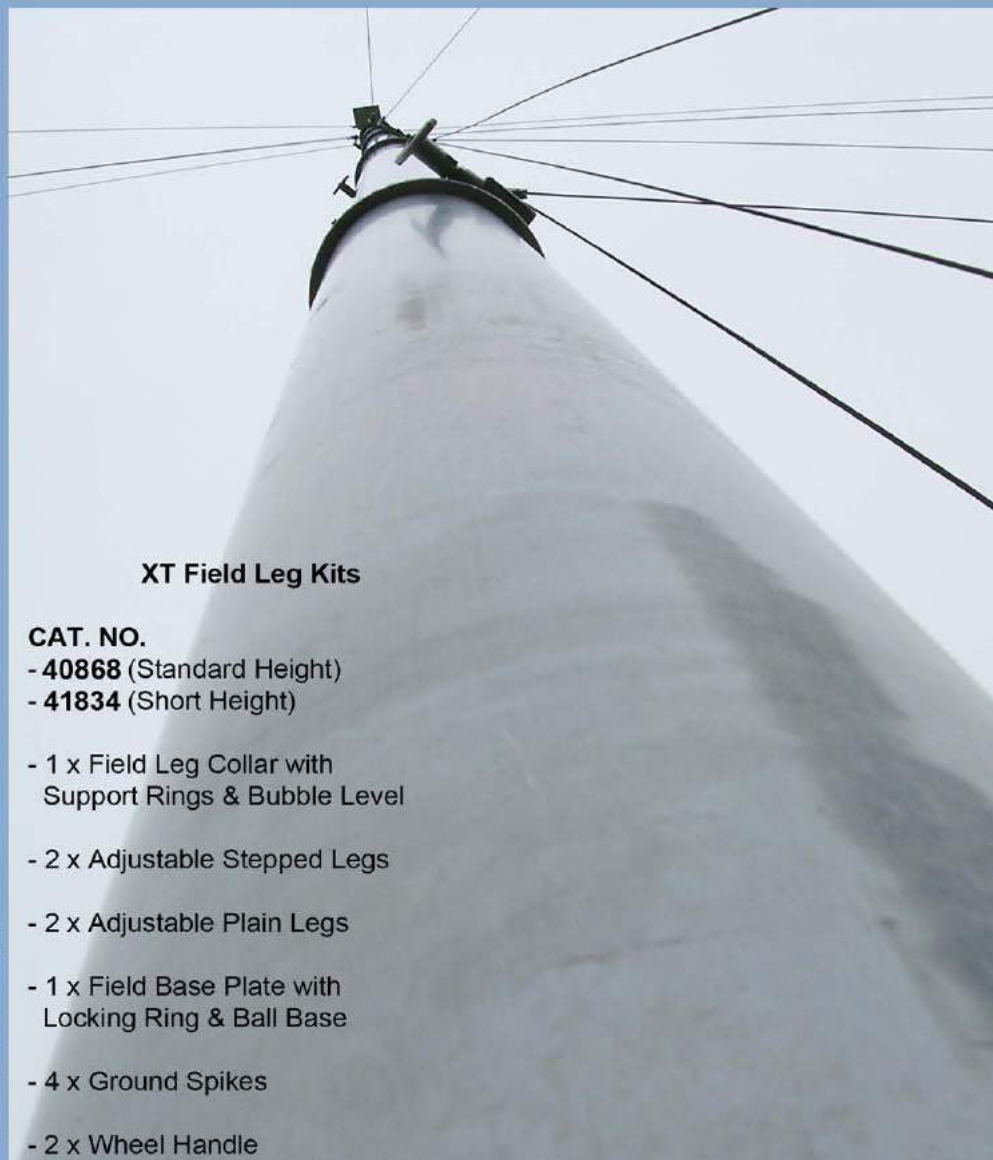




XT masts often need to be deployed for longer periods of time on the ground in varying weather conditions. Clark Masts have a tested solution for this application.

The XT field leg set offers a very strong fully adjustable system that enables the mast to be set up on sloping ground allowing the mast to be adjusted to the vertical position for safe extension and retraction.

The whole mast can be rotated through 360 degrees to position directional headloads. The base of the mast is attached to a field base which facilitates rotation and has a ball and socket that is clampable to lock the mast after rotating. Each set contains four adjustable legs, two of these are fitted with climbing steps to assist the user when attaching and removing headloads. Levelling is made simple using the standard bubble level.



### XT Field Leg Kits

#### CAT. NO.

- **40868** (Standard Height)

- **41834** (Short Height)

- 1 x Field Leg Collar with Support Rings & Bubble Level

- 2 x Adjustable Stepped Legs

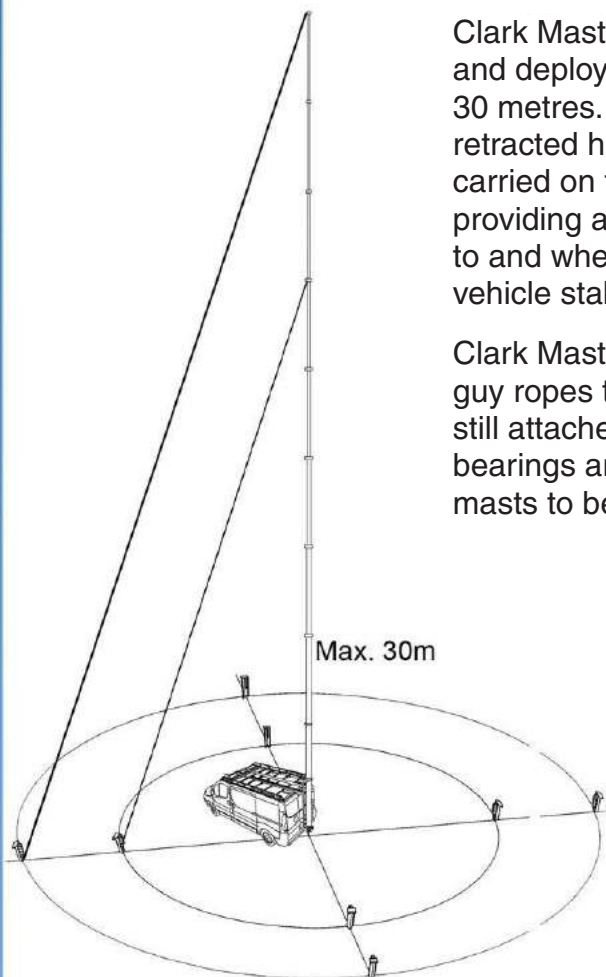
- 2 x Adjustable Plain Legs

- 1 x Field Base Plate with Locking Ring & Ball Base

- 4 x Ground Spikes

- 2 x Wheel Handle

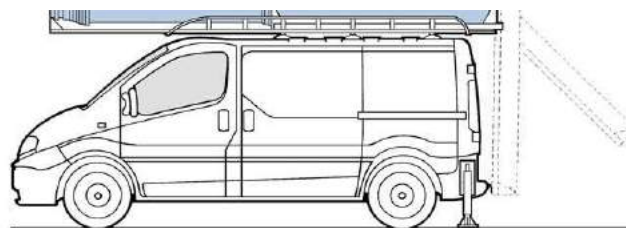




Guy ropes are available for support in unstable weather conditions.

Clark Masts have developed a system for transporting and deploying masts with extended heights up to 30 metres. The roof trolley system allows masts with retracted heights of up to 5.2 metres to be safely carried on the roof of a vehicle and then deployed providing a stable platform for setting up the mast prior to and when fully extended. For levelling the vehicle a vehicle stabilising kit is offered for sloping ground.

Clark Masts are fitted with guy collars for attaching guy ropes to, these allow the mast to be rotated whilst still attached. Roof trolleys are fitted with roof bearings and rotating bases as standard to allow masts to be fully rotated when in use.

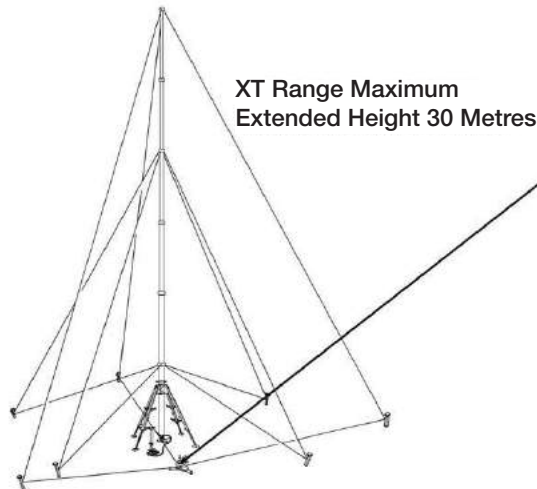


Can be attached to a large range of vehicles.



CAT. NO.	DESCRIPTION	FOR YT MAST MODEL
18558	XT Medium Roof Trolley	Retracted Height 2600 mm - 2800 mm
18561	XT Long Roof Trolley	Retracted Height 3900mm - 5200mm

Clark Masts manufacture a range of terylene, Kevlar and stainless steel guys for use with XT masts. Guys are required to stabilise the mast depending on height and windspeeds. Adjustment and tensioning of guy ropes is easy with the Clark Masts solution.



Guy assemblies are all pre-wound and include military style snap hooks or stainless steel carbine hooks, are fitted with easy to adjust ball tensioners and are wound onto a spool for storage. For controlling taller masts during extension and retraction a guy winch kit is used to control the three top stainless steel guys and keep the mast and headload in a vertical position at all times. This method is also used with our Type 72 and 73 sectional mast system. Recommended guy kits include a hammer, pickets and a rugged carrying bag. These are shown below.

## Guying Kits

### Top Guy Kit. 40869

XT Masts up to 12 metres extended



- 4 x 2484, 24" Guy Picket
- 4 x 29014, 18 Metre Kevlar Guy Assembly
- 1 x 2932, Accessory Bag
- 1 x B2621, 1.8 kg Hammer

### Top/Middle Guy Kit. 40870

XT Masts 13 metres - 21 metres extended



- 1 x 18028, Picket Bag
- 4 x 1847, 34" Guy picket
- 4 x 2484, 24" Guy Picket
- 4 x 29015, 24 Metre Kevlar Guy Assembly
- 4 x 29016, 30 Metre Kevlar Guy Assembly
- 1 x 2932, Accessory Bag
- 1 x B2621, 1.8 kg Hammer

### Top/Middle/Lower Guy Kit. 41432

XT Masts 22 metres - 30 metres extended



- 3 x 18028, Picket Bag
- 12 x 1847, 34" Guy Picket
- 4 x 29015, 24 Metre Kevlar Guy Assembly
- 8 x 29017, 40 Metre Kevlar Guy Assembly
- 1 x 2932, Accessory Bag
- 1 x B12173, Hammer

# XT Series

# Accessories



CAT. NO. 14232

### Upper Mounting Bracket

Used to mount mast externally on a vehicle, wall or shelter. Allows the mast to rotate 360 and is fitted with PTFE bearing pads.

Weight : 3.50kg



CAT. NO. 14233

### Lower Mounting Bracket

Used for externally mounting a XT mast on a vertical surface of a vehicle, wall or shelter.

Weight: 2.60kg



CAT. NO. 13025

### Roof Bearing

Used when fitting a XT mast through the roof of a vehicle allows 360 degree rotation and is fitted with PTFE bearings and a weather proof ring.

Weight: 2.23kg



CAT. NO. 28880

### Saddle Clamp

Allows XT Mast to be mounted on vertical or horizontal surfaces and to be quickly released when required.

Weight: 1.84kg



CAT. NO. 13686

### Wheel Handle

This solid aluminium handle is fitted to the 6" base tube of the XT mast when rotation is required.

Weight: 1.16kg



CAT. NO. 18353

### Graduated Collar

Used for XT masts requiring directional bearing references. Indexed 0 to 360°.

Weight: 0.54kg



CAT. NO. 44591

### Spreader Bar

Used to hold 'Nycoil' cable management system.

Weight: 3.0kg



### CAT. NO. 13753 Internal Mast-up Extension Warning Switch

Factory installed when mast is built, this switch is connected to a circuit to provide a mast up warning when installed in the vehicle.



### CAT. NO. 29269 SCAM Handpump

Self contained lightweight aluminium handpump, will extend any XT mast quickly without any auxiliary power. Supplied with 3 metres of hose and bayonet connector.

Weight: 3.05kg

### Model 185 Compressor Range

Available in 12v (CAT. NO. 33656), 24v (CAT. NO. 33657), 110v (CAT. NO. 33683) and 230v (CAT. NO. 33681) versions. This self contained power pack compressor is an all in one system for controlling the extension and retraction of XT masts when installed in a vehicle, Field versions can be supplied in conjunction with battery packs.



### Internal Extendable Cables

XT masts up to 8 metres in height can be fitted with an internal extendable cable. Cable entry and junction is provided by base housing and top housing. A choice of electrical and screened cables can be supplied.



**CLARK  
MASTS™**

All details in this publication are approximate and may be subject to change without any notice.

Distributor :

PP 2417E NV MM 08/12/15

**TEKSAM COMPANY NV**, Woudstraat 21, 3600 Genk, Belgium  
Tel : +32 (0)89 38 44 72 Fax : +32 (0)89 38 61 41 E-mail : [info@teksamco.com](mailto:info@teksamco.com) Website : [www.clarkmasts.be](http://www.clarkmasts.be)

*Clark Masts is a division of Teksam Company NV*