



RRFM - "GME-Motion" Roof Robot Series

*Roof robot folding mast lighting systems for cars,
SUV's, vans & fire fighting vehicles*



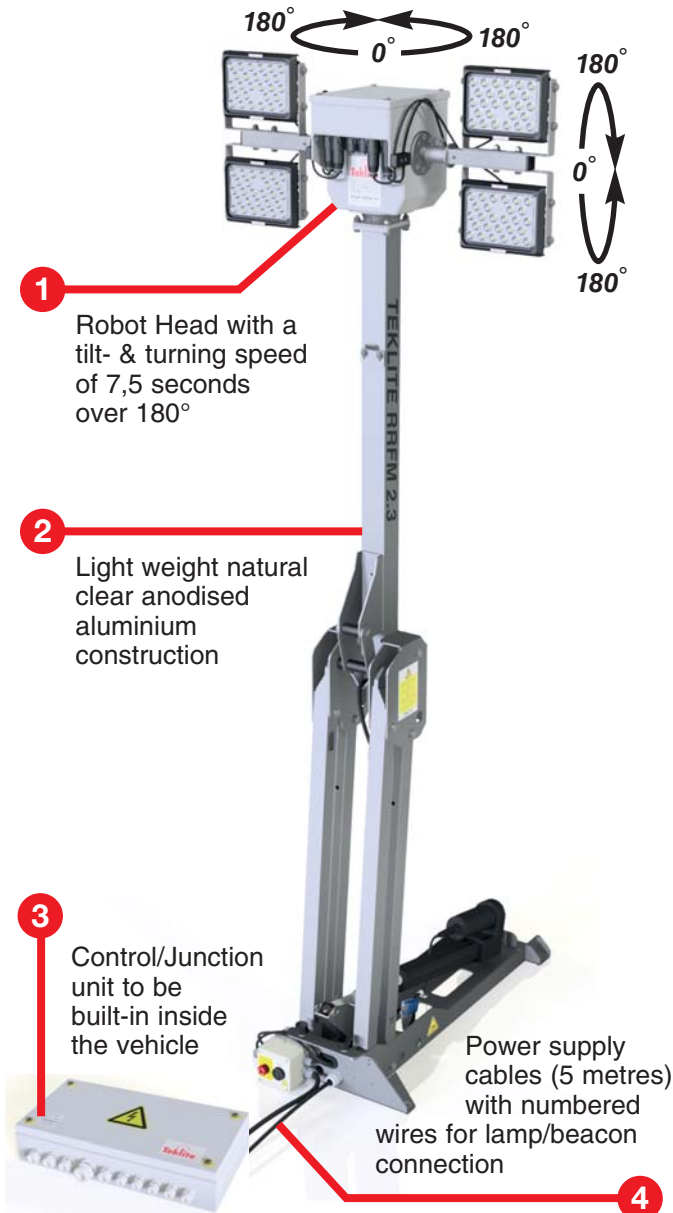
NEW



MOBILE LIGHTING SYSTEMS

Mast specifications

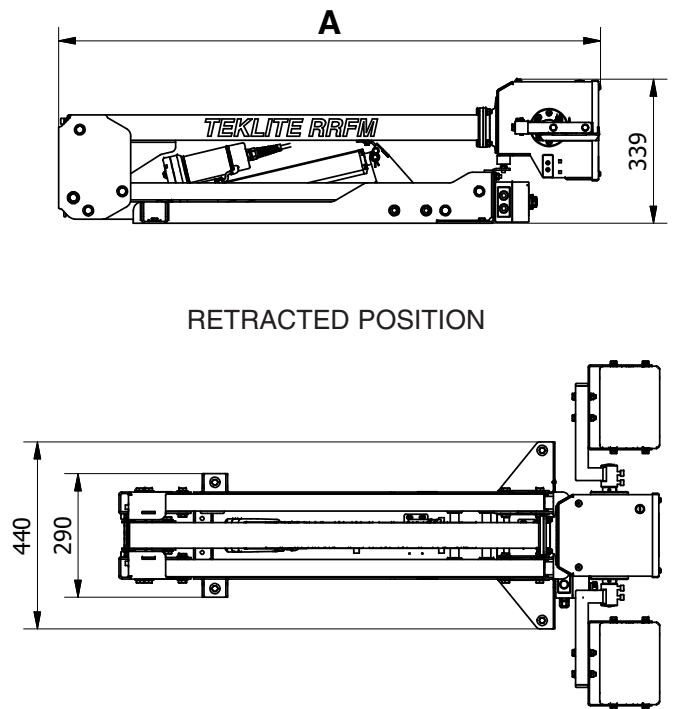
Technical details



Features

- Electric system powered from the 12/24 volt vehicle battery and controlled by cable remote control.
- It is possible to operate the roof robot lighting system with a single or double cable remote control.
- When the operation is over, a simple push of the button "mast down/park" turns the lamps to the stowage position and retracts the roof robot. This cycle may also be automatically started by the release of the vehicle handbrake.
- Robot lighting head tilts 180° down and 180° up starting from zero position. The robot head turns also 180° to the left and 180° to the right starting from zero position, at the touch of a button.
- Lamps can be either 12/24 volt or 110/230 volt if there is a generator on board.
- Fire CAN & CAN Open Interfaces available on request.
- Rotation speed : - pan (360°) : 15 seconds
- tilt (360°) : 15 seconds
- Full extension speed : 15 seconds (depending on the headload)
- Operating temperature : -30°C to +60°C
- Safety LED Up-Light & beacon available on request.

Dimensions (mm)



Mast models

RRFM "GME-Motion" 2.3 Models

Cat. No.	Description	Max. headload (120 km/h) Weight / Wind Surface	Total weight
53420	RRFM "GME-Motion" 2.3	27 kg / 0,35 m ²	40,1 kg
53421	RRFM "GME-Motion" 2.3 Deadman Function	27 kg / 0,35 m ²	40,1 kg

Dimensions : (A = 1275 mm; B = 2280 mm)

RRFM "GME-Motion" 3.0 Models

Cat. No.	Description	Max. headload (120 km/h) Weight / Wind Surface	Total weight
53422	RRFM "GME-Motion" 3.0	17 kg / 0,25 m ²	43,3 kg
53423	RRFM "GME-Motion" 3.0 Deadman Function	17 kg / 0,25 m ²	43,3 kg

Dimensions : (A = 1625 mm; B = 2980 mm)

Remote controls



Cable Remote Control-YH

Cat. No. 38682 (Spanish)

Cat. No. 38683 (English)

Cat. No. 38684 (German)

1,5 metre spiral cable + 10 metres linear cable



Cable Remote Control-LV

Cat. No. 53419

1,25 metre spiral cable + 10 metres linear cable
(Optional up to 6 light buttons)

Cable Remote Control functions



Cable Remote Control-YH

- Extend the roof robot
- Switch the lighting "on" and "off", left (lights 1) and right (lights 2)
- Beacon switch
- Turn and tilt the lamps in any direction
- Automatic return to the retracted position

Cable Remote Control-LV



Lamp choice

Set of 2 lamps mounted on Robot Head "GME-Motion"

Cat. No.	Model	Voltage	Lumen	Weight	Wind surface
25279	2 x 500 Watt Halogen *	230V AC	19.000	4,5 kg	0,08 m ²
27301	2 x 750 Watt Halogen *	230V AC	33.750	7,6 kg	0,17 m ²
25280	2 x 1000 Watt Halogen *	230V AC	44.000	7,6 kg	0,17 m ²
25860	2 x 1500 Watt Halogen *	230V AC	66.000	9,6 kg	0,20 m ²
51982	2 x 50 Watt LED	12-24V DC	17.000	5,0 kg	0,08 m ²
52183	2 x 50 Watt LED	110-230V AC	17.000	6,4 kg	0,08 m ²
52671	2 x 100 Watt LED	24V DC	25.000	4,8 kg	0,05 m ²
51787	2 x 100 Watt LED	24V DC	42.000	8,5 kg	0,15 m ²
51788	2 x 100 Watt LED	110-230V AC	42.000	10,8 kg	0,15 m ²
53413	2 x 140 Watt LED	24V DC	32.000	8,9 kg	0,08 m ²
53535	2 x 225 Watt LED	24V DC	50.000	11,2 kg	0,12 m ²
52995	2 x 300 Watt LED	110-230V AC	90.000	14,7 kg	0,20 m ²



Set of 4 lamps mounted on Robot Head "GME-Motion"

Cat. No.	Model	Voltage	Lumen	Weight	Wind surface
25282	4 x 500 Watt Halogen *	230V AC	38.000	6,9 kg	0,13 m ²
27366	4 x 750 Watt Halogen *	230V AC	67.500	12,5 kg	0,30 m ²
25283	4 x 1000 Watt Halogen *	230V AC	88.000	12,5 kg	0,30 m ²
52198	4 x 45 Watt LED	12-24V DC	19.200	3,0 kg	0,06 m ²
27362	4 x 50 Watt LED	12-24V DC	26.800	6,7 kg	0,06 m ²
51983	4 x 50 Watt LED	12-24V DC	34.000	8,0 kg	0,13 m ²
52704	4 x 50 Watt LED	110-230V AC	34.000	10,9 kg	0,13 m ²
52672	4 x 100 Watt LED	24V DC	50.000	8,2 kg	0,09 m ²
51789	4 x 100 Watt LED	24V DC	84.000	14,4 kg	0,25 m ²
51790	4 x 100 Watt LED	110-230V AC	84.000	19,0 kg	0,25 m ²
53414	4 x 140 Watt LED	24V DC	64.000	15,3 kg	0,13 m ²
53536	4 x 225 Watt LED	24V DC	100.000	20,4 kg	0,20 m ²
52996	4 x 300 Watt LED	110-230V AC	180.000	26,4 kg	0,35 m ²



Set of 6 lamps mounted on Robot Head "GME-Motion"

Cat. No.	Model	Voltage	Lumen	Weight	Wind surface
33435	6 x 500 Watt Halogen *	230V AC	57.000	11,5 kg	0,20 m ²
52706	6 x 45 Watt LED	24V DC	28.800	5,3 kg	0,08 m ²
37664	6 x 50 Watt LED	24V DC	40.200	10,4 kg	0,11 m ²
38887	6 x 50 Watt LED (vertical)	24V DC	40.200	11,5 kg	0,11 m ²
33422	6 x 50 Watt LED (horizontal)	24V DC	40.200	11,6 kg	0,13 m ²
53021	6 x 100 Watt LED	24V DC	75.000	12,6 kg	0,16 m ²
53022	6 x 100 Watt LED (vertical)	24V DC	75.000	13,8 kg	0,16 m ²



Other lamp units available on request.

* Lamp unit available with lamp protection guard (option).

Put a "P" after the lamp unit cat. no. for ordering purposes. Also available in 110V AC version.

Beacon Models



Teklite Quadriflash

Model _____ Cat. No. 52262

Available colours:
red, blue, amber and green



LED Beacon

Model _____ Cat. No. 52260

Available colours:
red, blue, amber and green



All details given in this publication are approximate and may be subject to change without notice.

Distributor :

TEKSAM COMPANY NV, Woudstraat 21, 3600 Genk, Belgium

Tel : +32 (0)89 38 44 72 Fax : +32 (0)89 38 61 41 E-mail : info@teksamco.com Website : www.teklite.com

TEKLITE is a division of Teksam Company NV



MOBILE LIGHTING SYSTEMS